

ULTRA-MINI INDUCTIVE PROXIMITY SENSOR (10-30VDC/10-55VDC/5-36VDC)

Diameter
● Shielded ○ non-Shielded
Switching Distance, Sn: mm
Housing Material
● With LED ○ Without LED

φ3
●
0.6 mm
stainless steel
●

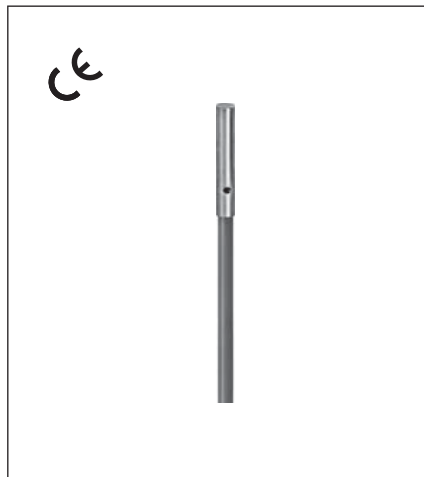
φ3
●
0.6 mm
stainless steel
●

Ripple
No Load Current
Max. Load current
Leakge Current
Voltage Drop
Switching Frequency
Response Time
Switching Hysteresis
Repeat Accuracy
Protection Category
Operating Temperature
Temperature Drift
Short Circuit Protection
Overload Trip Point
Material Active Face

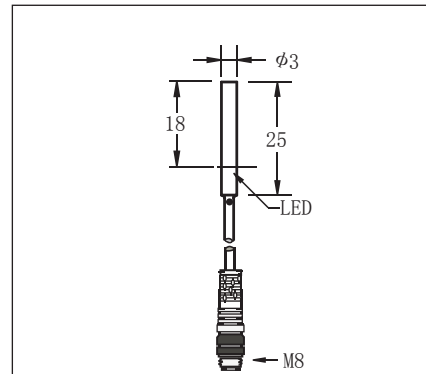
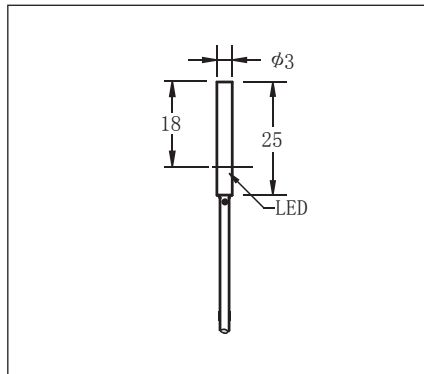
<10%
<10mA
100mA
<0.01mA
<1.5V
2KHZ
0.1ms/0.1ms
<15% (Sr)
<1.0% (Sr)
IP67
-25°C- +70°C
<10% (Sr)
Yes
120mA
POM

<10%
<10mA
100mA
<0.01mA
<1.5V
2KHZ
0.1ms/0.1ms
<15% (Sr)
<1.0% (Sr)
IP67
-25°C- +70°C
<10% (Sr)
Yes
120mA
POM

Picture



Dimensions (unit: mm)



DC 3 wire 10-30V NPN N.O.
DC 3 wire 10-30V NPN N.C.
DC 3 wire 10-30V PNP N.O.
DC 3 wire 10-30V PNP N.C.
DC 3 wire 10-55V NPN N.O.
DC 3 wire 10-55V NPN N.C.
DC 3 wire 10-55V PNP N.O.
DC 3 wire 10-55V PNP N.C.
DC 3 wire 5-36V NPN N.O.
DC 3 wire 5-36V NPN N.C.
DC 3 wire 5-36V PNP N.O.
DC 3 wire 5-36V PNP N.C.
Connecting type
Weight

BB-H30.6N-V11P2	1
BB-H30.6N-V21P2	2
BB-H30.6P-V11P2	3
BB-H30.6P-V21P2	4
2M Cable (2.6φ 3x0.15)	
approx. 25 g	

BB-H30.6N-V11Z8	1
BB-H30.6N-V21Z8	2
BB-H30.6P-V11Z8	3
BB-H30.6P-V21Z8	4
6" pigtail	
approx. 28 g	

ULTRA-MINI INDUCTIVE PROXIMITY SENSOR (10-30VDC/10-55VDC/5-36VDC)

Diameter
● Shielded ○ non-Shielded
Switching Distance, Sn: mm
Housing Material
● With LED ○ Without LED

φ 4
●
1 mm
stainless steel
●

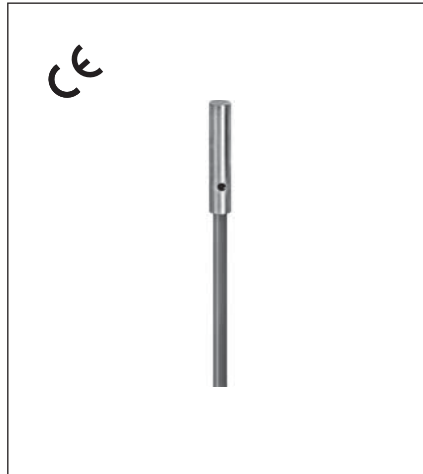
φ 4
●
1 mm
stainless steel
●

Ripple
No Load Current
Max. Load current
Leakge Current
Voltage Drop
Switching Frequency
Response Time
Switching Hysteresis
Repeat Accuracy
Protection Category
Operating Temperature
Temperature Drift
Short Circuit Protection
Overload Trip Point
Material Active Face

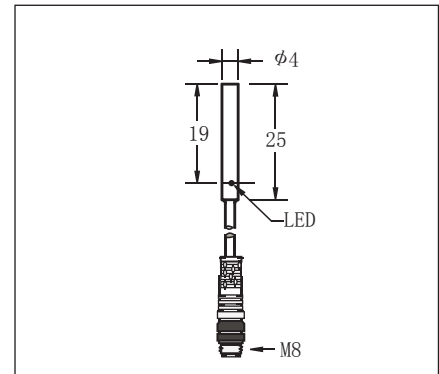
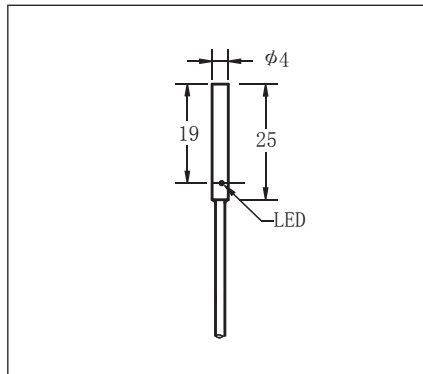
<10%
<10mA
200mA
<0.01mA
<1.5V
2KHZ
0.1ms/0.1ms
<15% (Sr)
<1.0% (Sr)
IP67
-25°C- +70°C
<10% (Sr)
YES
220mA
POM

<10%
<10mA
200mA
<0.01mA
<1.5V
2KHZ
0.1ms/0.1ms
<15% (Sr)
<1.0% (Sr)
IP67
-25°C- +70°C
<10% (Sr)
YES
220mA
POM

Picture



Dimensions (unit: mm)



DC 3 wire 10-30V NPN N.O.
DC 3 wire 10-30V NPN N.C.
DC 3 wire 10-30V PNP N.O.
DC 3 wire 10-30V PNP N.C.
DC 3 wire 10-55V NPN N.O.
DC 3 wire 10-55V NPN N.C.
DC 3 wire 10-55V PNP N.O.
DC 3 wire 10-55V PNP N.C.
DC 3 wire 5-36V NPN N.O.
DC 3 wire 5-36V NPN N.C.
DC 3 wire 5-36V PNP N.O.
DC 3 wire 5-36V PNP N.C.

BB-H41N-V11P2	1
BB-H41N-V21P2	2
BB-H41P-V11P2	3
BB-H41P-V21P2	4

BB-H41N-V11Z8	1
BB-H41N-V21Z8	2
BB-H41P-V11Z8	3
BB-H41P-V21Z8	4

Connecting type
Weight

2M Cable (2.6φ 3x0.15)
approx. 25 g

6" pigtail
approx. 30 g

ULTRA-MINI INDUCTIVE PROXIMITY SENSOR (10-30VDC/10-55VDC/5-36VDC)

Diameter
● Shielded ○ non-Shielded
Switching Distance, Sn: mm
Housing Material
● With LED ○ Without LED

M5
●
1 mm
stainless steel
●

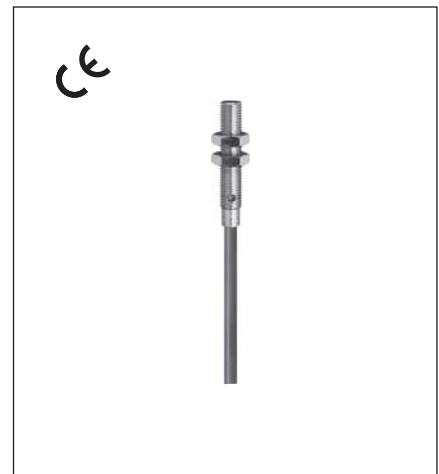
M5
●
1 mm
stainless steel
●

Ripple
No Load Current
Max. Load current
Leakge Current
Voltage Drop
Switching Frequency
Response Time
Switching Hysteresis
Repeat Accuracy
Protection Category
Operating Temperature
Temperature Drift
Short Circuit Protection
Overload Trip Point
Material Active Face

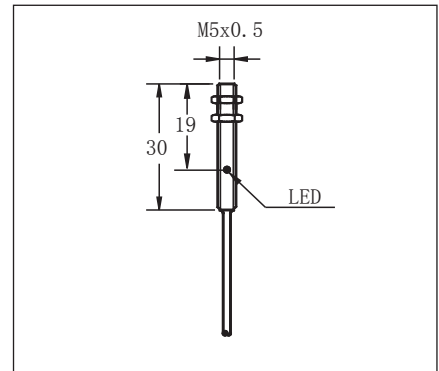
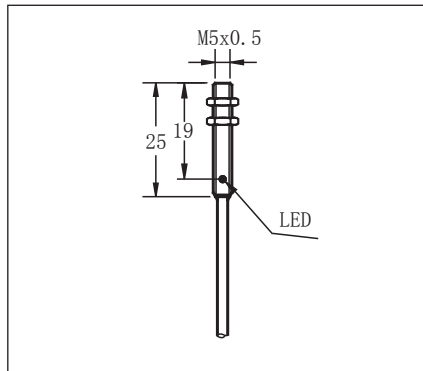
<10%
<10mA
200mA
<0.01mA
<1.5V
2KHZ
0.1ms/0.1ms
<15% (Sr)
<1.0% (Sr)
IP67
-25°C- +70°C
<10% (Sr)
YES
220mA
POM

<10%
<10mA
200mA
<0.01mA
<1.5V
2KHZ
0.1ms/0.1ms
<15% (Sr)
<1.0% (Sr)
IP67
-25°C- +70°C
<10% (Sr)
YES
220mA
POM

Picture



Dimensions (unit: mm)



DC 3 wire 10-30V NPN N.O.
DC 3 wire 10-30V NPN N.C.
DC 3 wire 10-30V PNP N.O.
DC 3 wire 10-30V PNP N.C.
DC 3 wire 10-55V NPN N.O.
DC 3 wire 10-55V NPN N.C.
DC 3 wire 10-55V PNP N.O.
DC 3 wire 10-55V PNP N.C.
DC 3 wire 5-36V NPN N.O.
DC 3 wire 5-36V NPN N.C.
DC 3 wire 5-36V PNP N.O.
DC 3 wire 5-36V PNP N.C.

BB-M501N-V11P2-S	1
BB-M501N-V21P2-S	2
BB-M501P-V11P2-S	3
BB-M501P-V21P2-S	4

BB-M501N-V11P2	1
BB-M501N-V21P2	2
BB-M501P-V11P2	3
BB-M501P-V21P2	4

Connecting type
Weight

2M Cable (2.6φ 3x0.15)
approx. 25 g

2M Cable (2.6φ 3x0.15)
approx. 25 g

ULTRA-MINI INDUCTIVE PROXIMITY SENSOR (10-30VDC/10-55VDC/5-36VDC)

Diameter
● Shielded ○ non-Shielded
Switching Distance, Sn: mm
Housing Material
● With LED ○ Without LED

M5
●
1 mm
stainless steel
●

M5
●
1 mm
stainless steel
●

Ripple
No Load Current
Max. Load current
Leakge Current
Voltage Drop
Switching Frequency
Response Time
Switching Hysteresis
Repeat Accuracy
Protection Category
Operating Temperature
Temperature Drift
Short Circuit Protection
Overload Trip Point
Material Active Face

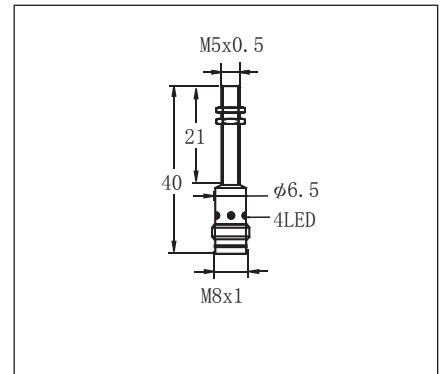
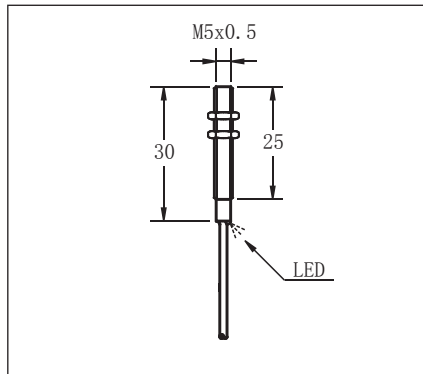
<10%
<10mA
200mA
<0.01mA
<1.5V
2KHZ
0.1ms/0.1ms
<15% (Sr)
<1.0% (Sr)
IP67
-25°C- +70°C
<10% (Sr)
YES
220mA
POM

<10%
<10mA
200mA
<0.01mA
<1.5V
2KHZ
0.1ms/0.1ms
<15% (Sr)
<1.0% (Sr)
IP67
-25°C- +70°C
<10% (Sr)
YES
220mA
POM

Picture



Dimensions (unit: mm)



DC 3 wire 10-30V NPN N.O.
DC 3 wire 10-30V NPN N.C.
DC 3 wire 10-30V PNP N.O.
DC 3 wire 10-30V PNP N.C.
DC 3 wire 10-55V NPN N.O.
DC 3 wire 10-55V NPN N.C.
DC 3 wire 10-55V PNP N.O.
DC 3 wire 10-55V PNP N.C.
DC 3 wire 5-36V NPN N.O.
DC 3 wire 5-36V NPN N.C.
DC 3 wire 5-36V PNP N.O.
DC 3 wire 5-36V PNP N.C.

BB-M501N-V11P2-N	1
BB-M501N-V21P2-N	2
BB-M501P-V11P2-N	3
BB-M501P-V21P2-N	4

BB-M501N-V11S8	1
BB-M501N-V21S8	2
BB-M501P-V11S8	3
BB-M501P-V21S8	4

Connecting type
Weight

2M Cable (2.6φ 3x0.15)
approx. 25 g

M8 connector
approx. 14 g

ULTRA-MINI INDUCTIVE PROXIMITY SENSOR (10-30VDC/10-55VDC/5-36VDC)

Diameter
● Shielded ○ non-Shielded
Switching Distance, Sn: mm
Housing Material
● With LED ○ Without LED

Q5x5x26
●
0.8 mm
Nickel Plated Brass
●

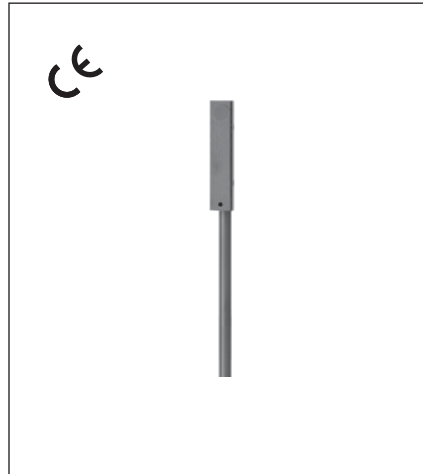
Q5x5x26
●
0.8 mm
Nickel Plated Brass
●

Ripple
No Load Current
Max. Load current
Leakge Current
Voltage Drop
Switching Frequency
Response Time
Switching Hysteresis
Repeat Accuracy
Protection Category
Operating Temperature
Temperature Drift
Short Circuit Protection
Overload Trip Point
Material Active Face

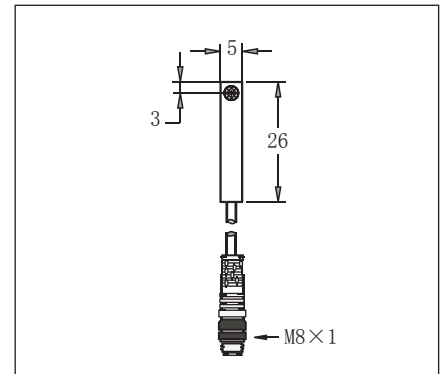
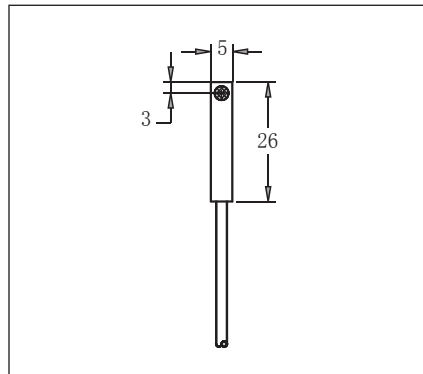
<10%
<10mA
200mA
<0.01mA
<1.5V
2KHZ
0.1ms/0.1ms
<15% (Sr)
<1.0% (Sr)
IP67
-25°C- +70°C
<10% (Sr)
Yes
220mA
POM

<10%
<10mA
200mA
<0.01mA
<1.5V
2KHZ
0.1ms/0.1ms
<15% (Sr)
<1.0% (Sr)
IP67
-25°C- +70°C
<10% (Sr)
Yes
220mA
POM

Picture



Dimensions (unit: mm)



DC 3 wire 10-30V NPN N.O.
DC 3 wire 10-30V NPN N.C.
DC 3 wire 10-30V PNP N.O.
DC 3 wire 10-30V PNP N.C.
DC 3 wire 10-55V NPN N.O.
DC 3 wire 10-55V NPN N.C.
DC 3 wire 10-55V PNP N.O.
DC 3 wire 10-55V PNP N.C.
DC 3 wire 5-36V NPN N.O.
DC 3 wire 5-36V NPN N.C.
DC 3 wire 5-36V PNP N.O.
DC 3 wire 5-36V PNP N.C.

BB-Q550. 8N-C11P2	1
BB-Q550. 8N-C21P2	2
BB-Q550. 8P-C11P2	3
BB-Q550. 8P-C21P2	4

BB-Q550. 8N-C11Z8	1
BB-Q550. 8N-C21Z8	2
BB-Q550. 8P-C11Z8	3
BB-Q550. 8P-C21Z8	4

Connecting type
Weight

2M Cable (2.6φ 3x0.15)
approx. 30 g

6" pigtail
approx. 35 g