

CAPACITIVE PROXIMITY SENSOR (PTFE HOUSING)

Diameter
● Shielded ○ non-Shielded
Switching Distance, Sn: mm
Housing Material
● With LED ○ Without LED

M18	
●	○
2-8 mm	2-15 mm
PTFE	
●	

M18	
●	○
2-8 mm	2-15 mm
PTFE	
●	

Operating Voltage
Ripple
No Load Current
Max. Load current
Leakge Current
Voltage Drop
Switching Frequency
Response Time
Switching Hysteresis
Repeat Accuracy
Protection Category
Operating Temperature
Temperature Drift
Short Circuit Protection
Overload Trip Point
Material Active Face

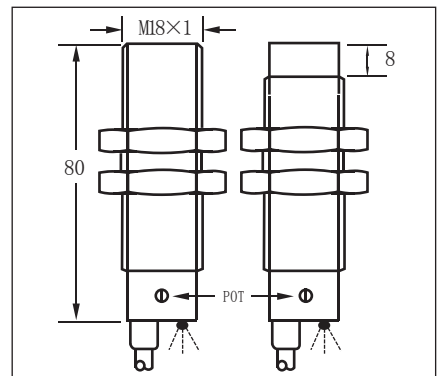
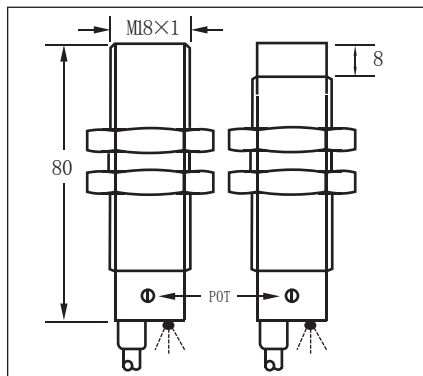
10-30VDC
<10%
<10mA
300mA
<0.01mA
<2VDC
100HZ
1.5ms/1.5ms
<15%(Sr)
<5%(Sr)
IP67
-25°C - +100°C
<10%(Sr)
YES
350mA
PTFE

20-250VAC
-
<2.5mA
300mA
<2.5mA
<9VAC AT 300MA
25HZ
10ms/10ms
<15%(Sr)
<5%(Sr)
IP67
-25°C - +100°C
<10%(Sr)
NO
5A
PTFE

Picture



Dimensions (unit: mm)



DC 3 wire 10-30V NPN N.O.
DC 3 wire 10-30V NPN N.C.
DC 3 wire 10-30V PNP N.O.
DC 3 wire 10-30V PNP N.C.
DC 3 wire 10-30V NPN N.O. & N.C.
DC 3 wire 10-30V PNP N.O. & N.C.
AC 20-250V N.O.
AC 20-250V N.C.
AC 20-250V N.O. & N.C.
AC/DC 20-250V N.O.
AC/DC 20-250V N.C.
AC/DC 20-250V N.O. & N.C.

CB-M1808N-F11F2	1	CN-M1815N-F11F2
CB-M1808N-F21F2	2	CN-M1815N-F21F2
CB-M1808P-F11F2	3	CN-M1815P-F11F2
CB-M1808P-F21F2	4	CN-M1815P-F21F2
CB-M1808N-F31F2	5	CN-M1815N-F31F2
CB-M1808P-F31F2	6	CN-M1815P-F31F2

CB-M1808A-F14F2	11	CN-M1815A-F14F2
CB-M1808A-F24F2	12	CN-M1815A-F24F2

Connecting type
Weight

2M PTFE cables (φ 5.0 3x0.34)	
approx. 102 g	approx. 100 g

2M PTFE cables (φ 5.0 3x0.34)	
approx. 102 g	approx. 100 g