

# AC TYPE INDUCTIVE PROXIMITY SENSOR (20-250VAC)

Diameter
● Shielded    ○ non-Shielded
Switching Distance, Sn: mm
Housing Material
● With LED    ○ Without LED

Q40
●
20 mm
PBT
●

Q40
●
20 mm
PBT
●

No Load Current
Max. Load current
Leakge Current
Surge Current
Min. Load Current
Voltage Drop
Switching Frequency
Response Time
Switching Hysteresis
Repeat Accuracy
Protection Category
Operating Temperature
Temperature Drift
Short Circuit Protection
Material Active Face

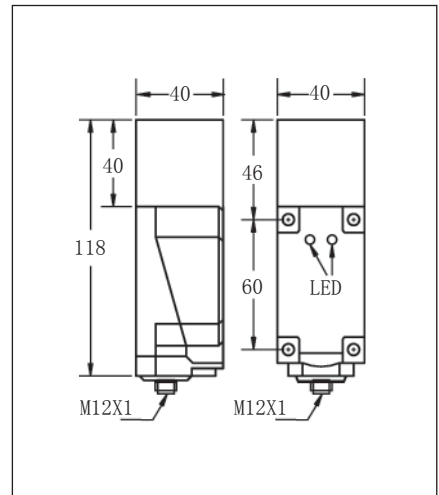
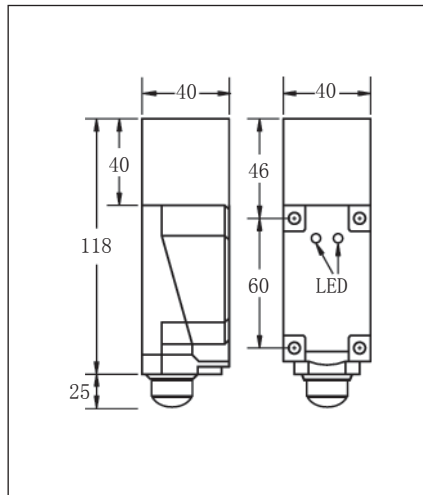
<2.5mA
400mA
<2.5mA
5A (20ms)
5mA
<8VAC AT 400mA
25HZ
10ms/10ms
<15% (Sr)
<1.0% (Sr)
IP67
-25°C- +70°C
<10% (Sr)
NO
PBT

<2.5mA
400mA
<2.5mA
5A (20ms)
5mA
<8VAC AT 400mA
25HZ
10ms/10ms
<15% (Sr)
<1.0% (Sr)
IP67
-25°C- +70°C
<10% (Sr)
NO
PBT

Picture



Dimensions (unit: mm)



AC 2 wire 20-250V N.O.
AC 2 wire 20-250V N.C.
AC 2 wire 20-250V (N.O.+N.C.)
AC/DC 2 wire 20-250V N.O.
AC/DC 2 wire 20-250V N.C.
AC/DC 2 wire 20-250V (N.O.+N.C.)
Connecting type
Weight

BN-Q4020A-P14T	9
BN-Q4020A-P24T	10
BN-Q4020A-P34T	15
Terminal	
approx. 242 g	

BN-Q4020A-P14S12	9
BN-Q4020A-P24S12	10
BN-Q4020A-P34S12	15
M12 connector	
approx. 250 g	