

# AC TYPE INDUCTIVE PROXIMITY SENSOR (20-250VAC)

Diameter
● Shielded    ○ non-Shielded
Switching Distance, Sn: mm
Housing Material
● With LED    ○ Without LED

Q18C
○
4 mm
POM
●

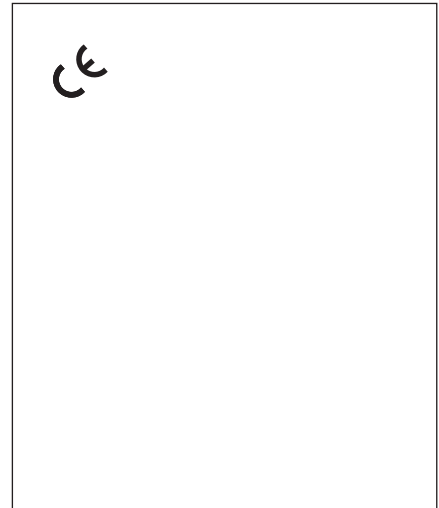
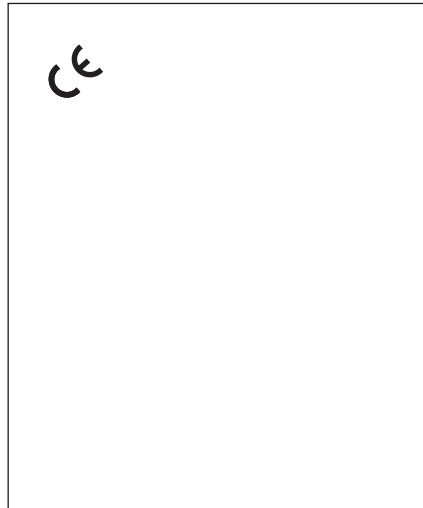
Q25
●                      ○
2 mm                      4 mm
PBT
●

No Load Current
Max. Load current
Leakage Current
Surge Current
Min. Load Current
Voltage Drop
Switching Frequency
Response Time
Switching Hysteresis
Repeat Accuracy
Protection Category
Operating Temperature
Temperature Drift
Short Circuit Protection
Material Active Face

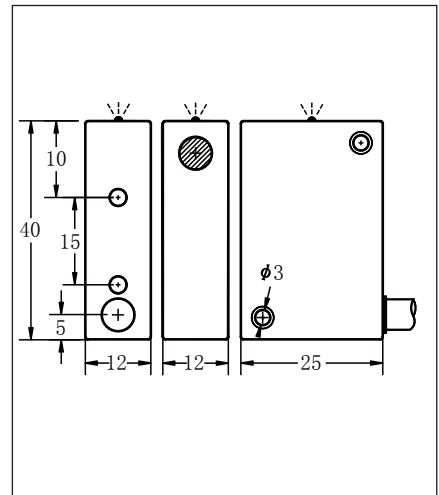
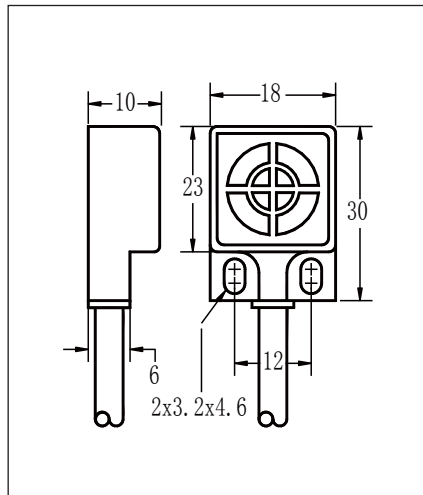
<1.8mA
400mA
<1.8mA
5A (20ms)
5mA
<8VAC AT 400mA
25HZ
10ms/10ms
<15% (Sr)
<1.0% (Sr)
IP67
-25°C- +70°C
<10% (Sr)
NO
POM

<1.8mA
400mA
<1.8mA
5A (20ms)
5mA
<8VAC AT 400mA
25HZ
10ms/10ms
<15% (Sr)
<1.0% (Sr)
IP67
-25°C- +70°C
<10% (Sr)
NO
PBT

Picture



Dimensions (unit: mm)



AC 2 wire 20-250V N.O.
AC 2 wire 20-250V N.C.
AC 2 wire 20-250V (N.O.+N.C.)
AC/DC 2 wire 20-250V N.O.
AC/DC 2 wire 20-250V N.C.
AC/DC 2 wire 20-250V (N.O.+N.C.)
Connecting type
Weight

BN-Q18C04A-P14P2	9
BN-Q18C04A-P24P2	10
2M cables (φ 5.0 2x0.34)	
approx. 55 g	

BB-Q2502A-P14P2	9	BN-Q2504A-P14P2
BB-Q2502A-P24P2	10	BN-Q2504A-P24P2
2M cables (φ 5.0 2x0.34)		
approx. 130 g		