

# AC TYPE INDUCTIVE PROXIMITY SENSOR (20-250VAC)

|                              |
|------------------------------|
| Diameter                     |
| ● Shielded    ○ non-Shielded |
| Switching Distance, Sn: mm   |
| Housing Material             |
| ● With LED    ○ Without LED  |

| M12                 |      |
|---------------------|------|
| ●                   | ○    |
| 2 mm                | 4 mm |
| Nickel Plated Brass |      |
| ●                   |      |

| M12                 |      |
|---------------------|------|
| ●                   | ○    |
| 2 mm                | 4 mm |
| Nickel Plated Brass |      |
| ●                   |      |

|                          |
|--------------------------|
| No Load Current          |
| Max. Load current        |
| Leakage Current          |
| Surge Current            |
| Min. Load Current        |
| Voltage Drop             |
| Switching Frequency      |
| Response Time            |
| Switching Hysteresis     |
| Repeat Accuracy          |
| Protection Category      |
| Operating Temperature    |
| Temperature Drift        |
| Short Circuit Protection |
| Material Active Face     |

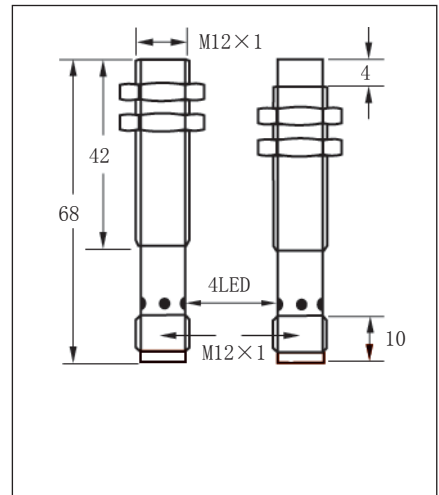
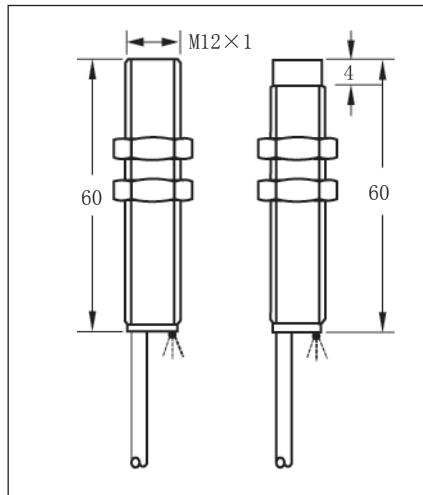
|                          |
|--------------------------|
| <1.8mA                   |
| 400mA                    |
| <1.8mA                   |
| 5A (20ms)                |
| 5mA                      |
| <8VAC AT 400mA           |
| 25HZ                     |
| 10ms/10ms                |
| <15% (Sr)                |
| <1.0% (Sr)               |
| IP67                     |
| -25°C - +70°C            |
| <10% (Sr)                |
| NO                       |
| POM                  PBT |

|                          |
|--------------------------|
| <1.8mA                   |
| 400mA                    |
| <1.8mA                   |
| 5A (20ms)                |
| 5mA                      |
| <8VAC AT 400mA           |
| 25HZ                     |
| 10ms/10ms                |
| <15% (Sr)                |
| <1.0% (Sr)               |
| IP67                     |
| -25°C - +70°C            |
| <10% (Sr)                |
| NO                       |
| POM                  PBT |

Picture



Dimensions (unit: mm)



|                                  |
|----------------------------------|
| AC 2 wire 20-250V N.O.           |
| AC 2 wire 20-250V N.C.           |
| AC 2 wire 20-250V (N.O.+N.C.)    |
| AC/DC 2 wire 20-250V N.O.        |
| AC/DC 2 wire 20-250V N.C.        |
| AC/DC 2 wire 20-250V (N.O.+N.C.) |

|                 |    |                 |
|-----------------|----|-----------------|
| BB-M1202A-C14P2 | 11 | BN-M1204A-C14P2 |
| BB-M1202A-C24P2 | 12 | BN-M1204A-C24P2 |
|                 |    |                 |
|                 |    |                 |
|                 |    |                 |

|                  |    |                  |
|------------------|----|------------------|
| BB-M1202A-C14S12 | 11 | BN-M1204A-C14S12 |
| BB-M1202A-C24S12 | 12 | BN-M1204A-C24S12 |
|                  |    |                  |
|                  |    |                  |
|                  |    |                  |

|                 |
|-----------------|
| Connecting type |
| Weight          |

|                          |              |
|--------------------------|--------------|
| 2M cables (φ 5.0 3x0.34) |              |
| approx. 77 g             | approx. 75 g |

|               |              |
|---------------|--------------|
| M12 connector |              |
| approx. 32 g  | approx. 30 g |